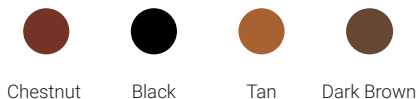


The Rocket Bag

Colour options

To make your custom Rocket Bag, select from your choice of aniline-dyed vegetable tanned leather for the exterior, as well as a variety of colours of suede for the interior.

Leather

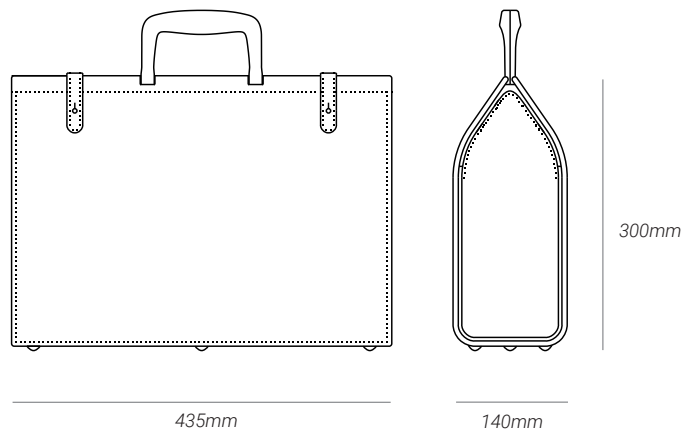


Chestnut Black Tan Dark Brown

Interior

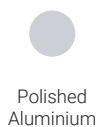


Biege Charcoal Red Camel Lamb Cobalt



Handle

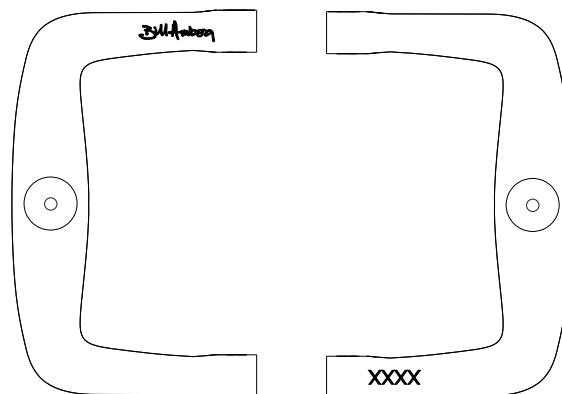
The Aluminium handle comes as standard in a polished finish. Personalise your handle with up to four characters of engraving.



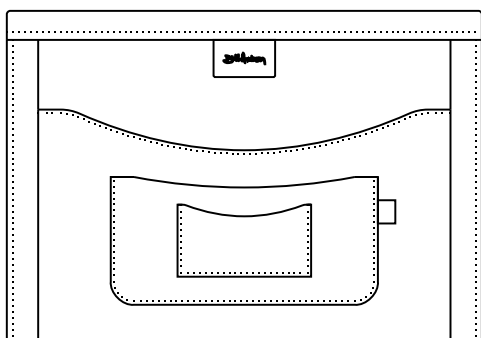
Polished Aluminium

XXXX

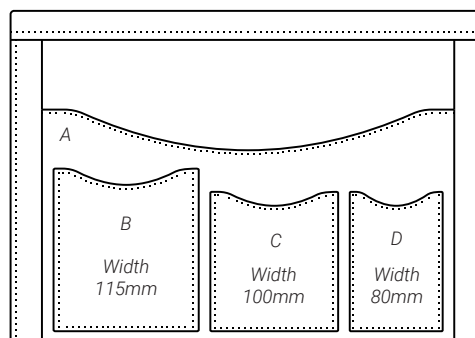
Font: Arial
(Changable upon request)



Pockets



Side A



Side B

Large Document/Laptop pocket, smaller pocket, card holder & pen loop. This Pocket arrangement comes standard in all Rocket Bags.

- A. Large Document/Laptop pocket
- B. Smartphone/Small tablet pocket (+£150)
- C. Passport pocket (+£150)
- D. Sunglasses pocket (+£150)



The Rocket Bag is a Bill Amberg icon. Originally developed in 1990, it has become a classic of both design and leathercraft, entering the V&A Museum's permanent archive in 2001, as well as the collection of the Metropolitan Museum of Art in New York. The piece is Bill's modern interpretation of a traditional briefcase design, with smooth, fluid curves inspired by the classic rocket silhouette. Its aesthetic impact is enhanced by the ancient-meets-modern material contrast between traditional bridle leather and gleaming polished aluminium.

The leather used is a premium-grade vegetable-tanned Italian shoulder hide that has been aniline dyed for the perfect balance between durability and a natural look. To achieve the sateen shine and silky tactility of the surface, the leather is plated (subjected to great heat and pressure), before it passes to craftsmen in the workshop for shaping and stitching.

This new design is inspired by the 1990 original, resized and modified to bring the bag up to date with the needs of modern life. The interior is lined with tactile pigskin suede and is fitted with seven pockets in varying sizes to accommodate devices, stationery, a wallet and everyday necessities, including an elasticated document holder. There's plenty of space for a laptop, which is protected from accidental damage by the padded base.

Available in Black, Chestnut, Tan or Dark Brown - the Rocket Bag looks as good today as it did when it first appeared almost 40 years ago – a truly timeless design, each Rocket Bag is hand made to order.

Care guidelines: *Dust with a soft lint-free cloth*